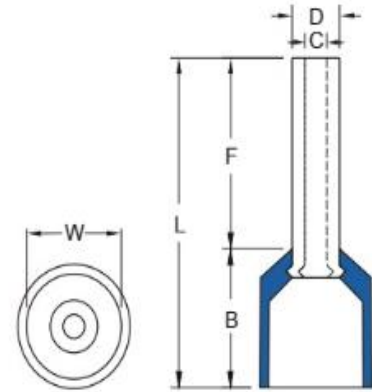




Bootlace Ferrule

TECHNICAL DATASHEET

ELMARK Superlug range of Nylon Insulated Cord End Terminals (Bootlace Ferrules) are Manufactured to Din 46228 and follow the French Colouring Code.



ESC CODE	UOM	DATA_2	COLOUR	F	L	W	B	D	C	(mm)
BL025L	100pk	0.25mm	VIOLET	6.0	10.4	1.9	4.4	1.1	0.8	
BL05S	50pk	0.5mm	WHITE	8.0	14.0	2.6	6.0	1.3	1.0	
BL05L	100pk	0.5mm	WHITE	8.0	14.0	2.6	6.0	1.3	1.0	
BL075S	50pk	0.75mm	BLUE	8.0	14.0	2.8	6.3	1.5	1.2	
BL075L	100pk	0.75mm	BLUE	8.0	14.0	2.8	6.3	1.5	1.2	
BL10S	50pk	1.0mm	RED	8.0	14.0	3.0	6.3	1.7	1.4	
BL10L	100pk	1.0mm	RED	8.0	14.0	3.0	6.3	1.7	1.4	
BL15S	50pk	1.5mm	BLACK	8.0	14.0	3.5	6.3	2.0	1.7	
BL15L	100pk	1.5mm	BLACK	8.0	14.0	3.5	6.3	2.0	1.7	
BL25S	40pk	2.5mm	GREY	8.0	15.0	4.2	7.4	2.5	2.2	
BL25L	100pk	2.5mm	GREY	8.0	15.0	4.2	7.4	2.5	2.2	
BL4S	30pk	4mm	ORANGE	10.0	17.0	4.8	7.4	3.2	2.8	
BL4L	100pk	4mm	ORANGE	10.0	17.0	4.8	7.4	3.2	2.8	
BL6S	20pk	6mm	GREEN	10.0	18.5	6.3	8.5	3.9	3.5	
BL6L	100pk	6mm	GREEN	10.0	18.5	6.3	8.5	3.9	3.5	
BL100S	16pk	10mm	BROWN	12.0	22.0	7.6	8.8	4.9	4.5	

BL100L	100pk	10mm	BROWN	12.0	22.0	7.6	8.8	4.9	4.5
BL160S	5pk	16mm	IVORY	12.0	24.0	8.8	10.0	6.2	5.8
BL160L	20pk	16mm	IVORY	12.0	24.0	8.8	10.0	6.2	5.8
BL250S	5pk	25mm	BLACK	16.0	28.0	11.2	12.0	7.9	7.5
BL250L	10pk	25mm	BLACK	16.0	28.0	11.2	12.0	7.9	7.5
BL350S	5pk	35mm	RED	25.0	39.0	12.7	14.0	8.7	8.3
BL350L	10pk	35mm	RED	25.0	39.0	12.7	14.0	8.7	8.3
BL50S	5pk	50mm	BLUE	30.0	46.0	15.0	16.0	10.9	10.3
BL50L	10pk	50mm	BLUE	30.0	46.0	15.0	16.0	10.9	10.3

Features:

Maximum Electrical Rating: 105°C 600 Volts Max.
Connector Material: Copper Tube
Insulation: Nylon
Crimp Tool (0.25 – 6mm): LY8-060 or KST2000L
Crimp Tool (10 – 16mm): KST2000M
Crimp Tool (25mm +): KSTP-325-B

Applications:

- Construction
- Panel Building
- Distribution Boards
- Automation
- Aerospace